

All about electrostatics, our know-how is yours!

ASI A-SUNG
International CO., LTD.
Asung.vn DISTRIBUTOR

The Next Generation ION BAR



SIB7 Series

SIB7 Series is the all-in-one type mini size ion bar. Corona discharge loss is minimized through various specification and digital control system and this product provides high performance, low ion balance. Also, wide range of ionization is possible through optimum ion generating design.



Key Features

- All-in-one type mini size ion bar. (eg. controller internally installed)
- Maximized the ion creation via reducing loss of corona discharging
- Power jumping function among ion bars (Max. 4 ion bar links)
- Aerodynamic design nozzle socket reduces tip contamination
- One-touch in/out socket application
- Design for minimum air consumption (Newly designed socket minimized the air consumption but maximized the air pressure)

SUNJE We are always doing the best
to satisfy customer needs!

 Ion Bar

8, Cheonggwang-gil, Ilgwang-myeon, Gijang-gun, Busan, Korea
E-mail : info@sunstat.com / lbj1239@sunstat.com Tel : 051) 720-7500

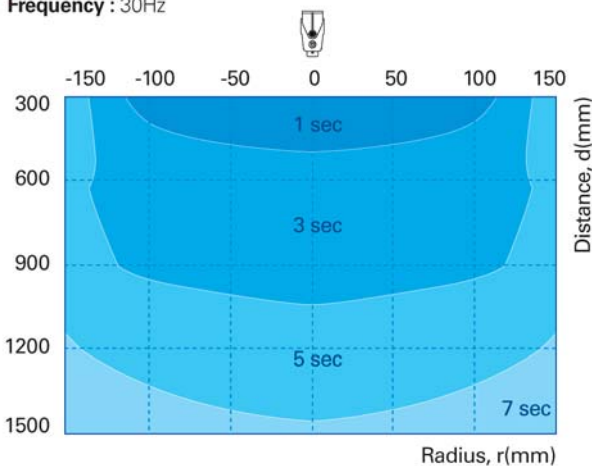
Specifications

Parameter	Description / Value	Remarks
Input Power	DC 24V (±5%)	
Power Consumption	Max. 7.8W	
Current Consumption	Max. 325mA	DC 24V
Ion-Generation Method	Corona Discharge Pulse AC	
Air Purge Supply Pressure	0.1MPa ~ 0.5 MPa	CDA, N2
Air Purge Connection Port	Pipe Thread 1/8"	
Ion Balance	within ±30V	1,000mm
Operating Distance	50mm ~ 2,000mm	
Operation Circumstance	0°C~+50°C(32°F~122°F), 35%~85% RH	
Ozone(O3) Concentration	≤0.05ppm	
Main Body Material	Non-Flammable ABS	Level V0
Electrode	Standard	Tungsten
Material	Option	Poly Silicon, Titanium
Electrode Replacement	Cartridge type	
Mounting Method	Bolt Mounting with Bracket	
Ion Bar Length	422mm ~ 962mm	
Adjust Function	Frequency [Hz]	0.1, 0.3, 1, 3, 5, 8, 10, 20, 30, 50
	Duty Ratio [%]	40 ~ 70
	Voltage [Level]	1 ~ 10
Alarm Function	High Voltage Abnormal Alarm	
Interface	Input	Remote
	Output	Run State, Alarm State
Warranty	1 year	

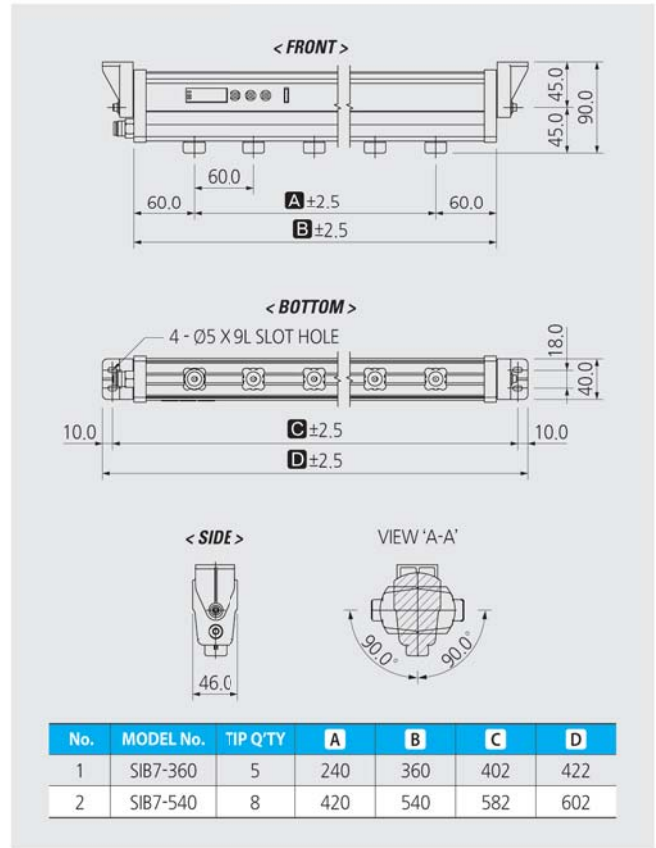
※ The appearance and specification of the product may be changed without prior notice for the improvement of the product.

Decay Time Characteristics

- **Model** : SIB7-540
- **Socket** : SIE-4
- **Output Voltage** : A10.5kVp-p
- **Air Pressure** : 0.3MPa
- **Decay Time** : ±1,000V to ±100V
- **Temperature & Humidity** : 24°C±1°C, 44%±2% RH
- **Charge Plate Capacitance** : 20pF (150 X 150 mm)
- **Frequency** : 30Hz



Dimensions



Maintenance

▶ Discharge needle cleaning order

1. Be sure to power off before cleaning the ion bar.
2. Soak the cotton swab with alcohol.
(do not use acetone)
3. Put the swab on the discharge needle and wipe it turning the swab right and left.
(take precautions not to apply severe force to the discharge needle.)
4. Replace the damaged discharge needle.
5. After the cleaning, let the alcohol applied to the discharge needle surface evaporate completely and then operate the ion bar.
6. Please record the cleaning process as a reference in the file.

▶ How to replace the needle socket

