

All about electrostatics, our know-how is yours!

ASI A-SUNG  
International CO.,LTD.  
Asung.vn DISTRIBUTOR

★ ★ ★  
**NEW**  
ARRIVAL  
★

## The Next Generation

# ION BAR



## SIB5S-C Series

It achieves stable performance and constant ion balancing for long time use through high frequency, and it has a digital control system to minimize corona discharge loss. In addition, wear and contamination of the discharge emitter is minimized, which improves the ease of maintenance and is applicable to various installation environments with various lengths.



### Key Features

- Stable ion balance during long term usage
- Low peak voltage through high frequency
- Improved convenience of maintenance by minimizing wear and contamination of discharge emitter
- Increase ion generation by reducing corona discharge loss
- Tip cleaning alarm (You can set tip cleaning period with timer)
- One touch type for easy tip replacement and cleaning

**SUNJE** We are always doing the best  
to satisfy customer needs!

 **Ion Bar**

8, Cheonggwang-gil, Ilgwang-myeon, Gijang-gun, Busan, Korea  
E-mail : info@sunstat.com / lbj1239@sunstat.com Tel : 051) 720-7500

### Specifications

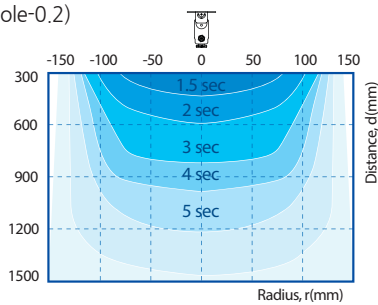
Parameter	Description / Value	
Input Power	DC 24V (±5%)	
Power Consumption	Max. 4.8W	
Current Consumption	Max. 200mA	
High Voltage	Pulse AC 20kVpp	
Ion-Generation Method	Corona Discharge Pulse AC	
Structure	Capacity coupled	
Connector	Power(DC24V) : RJ45 RS485 : RJ45 Interface : RJ45	
Operating Distance	50~2,000mm	
Air Purge Supply Pressure	0.1 ~ 0.5MPa (CDA, N2)	
Operation Circumstance	0°C~+50°C(32°F~122°F), 35%~85% RH	
Ozone(O3) Concentration	≤0.05ppm	
Main Body Material	Non-Flammable ABS (Level V0)	
Electrode Material	Tungsten	
Electrode Replacement	Cartridge type	
Model Line Up	400mm~ 3000mm	
Function	Alarm	Over Discharge Alarm Tip Cleaning Timer Alarm
	Interface	Run/Stop State : Run-Closed / Stop-Open Over Discharge Alarm : Normal-Open / Alarm-Closed Tip Cleaning Timer Alarm : Normal-Open / Alarm-Closed Remote Input : DC 24V (15mA)
	Communication	RS485
Option	SBP-RD (DC Power Supply)	
Warranty	1 year	

※ The appearance and specification of the product may be changed without prior notice for the improvement of the product.

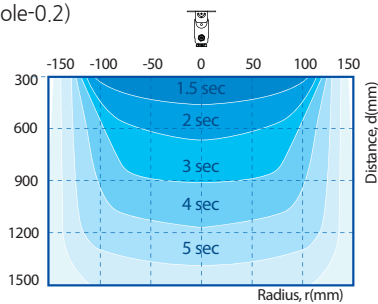
### Decay Time Characteristics

- Model : SIB5-1000S-C
- Air Pressure : 0.3MPa
- Decay Time : ±1,000V to ±100V
- Temperature & Humidity : 24°C ± 1°C, 40% ± 2%RH
- Charge Plate Capacitance : 20pF ± 2pF (150 X 150mm)

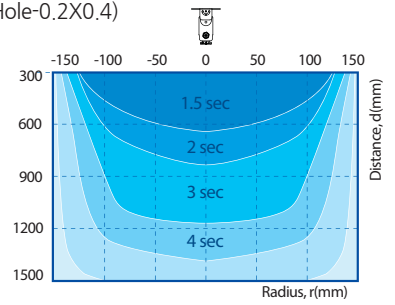
- Socket : Clean Socket (2-Hole-0.2)
- Flux : 56LPM



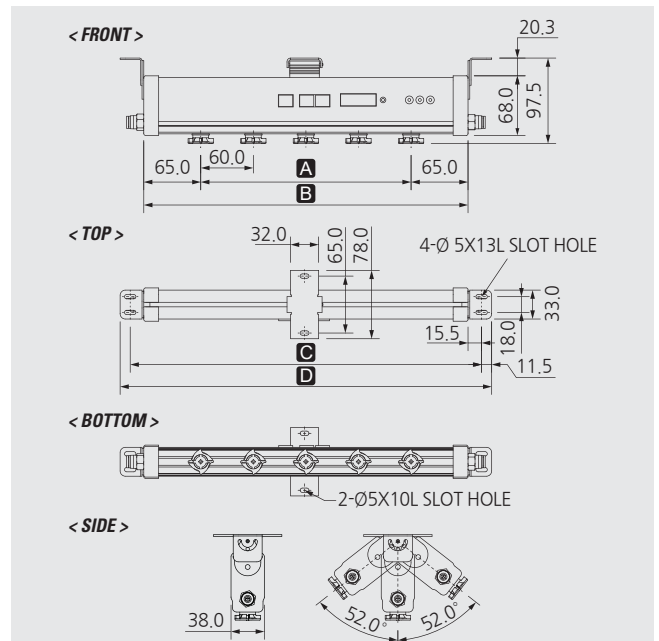
- Socket : Clean Socket (4-Hole-0.2)
- Flux : 100LPM



- Socket : Clean Socket (4-Hole-0.2X0.4)
- Flux : 165LPM



### Dimensions



No.	Model No.	Tip QTY	A	B	C	D	Middle BKT QTY
1	SIB5-400S-C	5	240	370	401	424	-
2	SIB5-500S-C	7	360	490	521	544	-
3	SIB5-600S-C	9	480	610	641	664	-
4	SIB5-700S-C	11	600	730	761	784	-
5	SIB5-900S-C	13	720	850	881	904	-
6	SIB5-1000S-C	15	840	970	1001	1024	-
7	SIB5-1100S-C	17	960	1090	1121	1144	-
8	SIB5-1200S-C	19	1080	1210	1241	1264	-
9	SIB5-1300S-C	21	1200	1330	1361	1384	-
10	SIB5-1500S-C	23	1320	1450	1481	1504	1
11	SIB5-1600S-C	25	1440	1570	1601	1624	1
12	SIB5-1700S-C	27	1560	1690	1721	1744	1
13	SIB5-1800S-C	29	1680	1810	1841	1864	1
14	SIB5-1900S-C	31	1800	1930	1961	1984	1
15	SIB5-2100S-C	33	1920	2050	2081	2104	2
16	SIB5-2200S-C	35	2040	2170	2201	2224	2
17	SIB5-2300S-C	37	2160	2290	2321	2344	2
18	SIB5-2400S-C	39	2280	2410	2441	2464	2
19	SIB5-2500S-C	41	2400	2530	2561	2584	2
20	SIB5-2700S-C	43	2520	2650	2681	2704	2
21	SIB5-2800S-C	45	2640	2770	2801	2824	2
22	SIB5-2900S-C	47	2760	2890	2921	2944	2
23	SIB5-3000S-C	49	2880	3010	3041	3064	2