

All about electrostatics, our know-how is yours!

ASI A-SUNG
International CO.,LTD.
Asung.vn DISTRIBUTOR

The Next Generation ION BLOWER

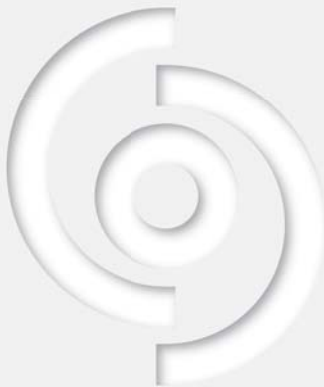


SOB-S Series

It is possible to ionize whole closed space through upper installation.

Due to slim and light-weight, the installation access is easier.

Easy maintenance using a discharge needle cleaning brush and a detachable rubber cover.



Key Features

- Ionizing whole closed space through upper installation
- 2Fan(SOB-2S), 3Fan(SOB-3S), 4Fan(SOB-4S), 5Fan(SOB-5S) available for customer needs
- Automatic ion balance control
- Slim size, Light-weight, Low-noise
- Easy maintenance via automatic tip cleaning function
- Fan speed control (4Steps)
- Interface available with Automation (PLC)
- Ion unbalance / Fan abnormal buzzer alarm
- With RMS, possible to check operation status in real time (Option)

SUNJE We are always doing the best
to satisfy customer needs!

 **Ion Blower**

8, Cheonggwang-gil, Ilgwang-myeon, Gijang-gun, Busan, Korea
E-mail : info@sunstat.com / lbj1239@sunstat.com Tel : 051) 720-7500

Specifications

Parameter	Description / Value				Remarks
	SOB-2S	SOB-3S	SOB-4S	SOB-5S	
Input Power	AC 100~240V, 50/60Hz				
Power Consumption	37W	47W	60W	75W	Fan Speed Max.
Current Consumption	168mA	213mA	272mA	341mA	AC 220V
Ion-Generation Method	Steady-State DC				
Air Flow	8.5 m ³ /min	12.75 m ³ /min	17.0 m ³ /min	21.25 m ³ /min	Fan Speed Max.
Noise Level	63dB	64dB	65dB	67dB	1,000mm, Fan Speed Max.
Ion Balance	within ±5V				600mm, Maximum Air flow
Operation Circumstance	0°C~+50°C(32°F~122°F), 35%~85%RH				
Ozone(O3) Concentration	≤0.05ppm				
Main Body Material	Aluminum				
Electrode Material	Tungsten				
Mounting Method	Ceiling or Wall Mount				
Weight	3.1kg	4.1kg	5.2kg	6.2kg	
Function	4 Step Fan Speed, Tip Cleaning, Auto Tip Cleaning				
Alarm Function	Ion Unbalance Alarm, Fan Alarm				
Interface	Remote On/Off, Run State, Alarm, Tip Cleaning, RS 485				
Warranty	1 year				

※ The appearance and specification of the product may be changed without prior notice for the improvement of the product.

Maintenance

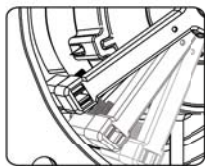
▶ Tip Cleaning

• Tip Cleaning Button

SOB-S Series has a brush to clean a discharge needle. When the "Tip Cleaning" button on the front is depressed, SBL-20W/30W will clean the discharge needle automatically for 5 seconds after Fan's operation is stopped.

• Auto Tip Cleaning

If the Power On status of the SOB-S Series last more than 24 hours, it will automatically clean a discharge needle every 24 hours. Discharge needle cleaning is executed for 3 seconds after Fan's operation is stopped.



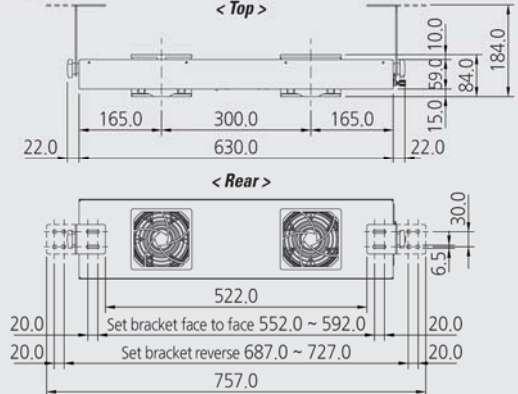
• Manual Tip Cleaning

Clean a discharge needle in person in case of its serious contamination.

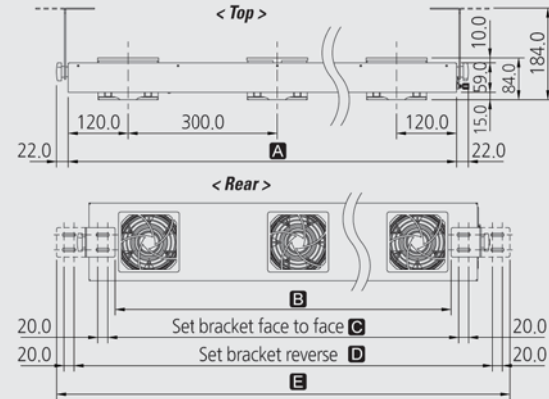
1. Be sure to power off before cleaning the icnizer.
2. Please open the front cover of a SOB-S Series.
3. Soak the cotton swab with alcohol. (do no: use acetone)
4. Put the swab on the discharge needle and wipe it turning the swab right and left.
(take precautions not to apply severe force to the discharge needle)
5. Replace the damaged discharge needle.
6. After the cleaning, let the alcohol applied to the discharge needle surface evaporate completely and then operate the SOB-S Series.
7. Please record the cleaning process as a reference in the file.

Dimensions

▶ SOB-2S



▶ SOB-3S/4S/5S



No.	Model No.	A	B	C	D	E
1	SOB-3S	840	732	762~802	897~937	967
2	SOB-4S	1140	1032	1062~1102	1197~1237	1267
3	SOB-5S	1440	1332	1362~1402	1497~1537	1567

Decay Time Characteristics

- Model : SOB-3S
- Decay Time : ±1,000V to ±100V
- Charge Plate Capacitance : 20pF(150 X 150 mm)
- Temperature & Humidity : 24°C, 50%RH

