



It is recommended that only persons who have sufficient knowledge and experience such as system designers and responsible persons deal with this product after carefully reading the product manual.

1 The matters of safety

⚠ WARNING

- * If the equipment is used in a manner not specified by the manufacturer, the protection provided by the equipment may be impaired.
- * Do not let the water touch the product. It may cause electric shock or fire due to malfunction.
- * When you check or maintain the product, make it sure you turn off the power. It may cause electric shock or fire due to malfunction.
- * The item should be fixed to the target tightly. Electric discharging or breakage might happen.
- * Do not use the product at the place where dangerous material such as inflammable or ignitable material exists. This product is not the product of anti-explosive type.
- * This device is made only for industrial uses. You need to ground the device beforehand. Otherwise, there are in case of malfunction, electric shock, or fire damage.

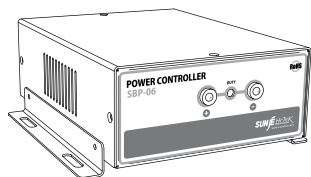
⚠ CAUTION

- * Do not disconnect the controller cable with power applied. There is a possibility of electric shock or malfunction.
- * Connect wires referring to the product manual. Wrong connection can cause failures.
- * For your proper cable connection, take a look at the manual 'Installation & Connection', for references. Any disordered connection is detected, the malfunction might arise.
- * All cables should be connected all the time. Please careful of cable disconnections. If power or communication cables got damaged, replace them immediately. Malfunction and fire danger may happen.
- * Do not install the device where the vibration can be detected. Any minor impact or vibration on the device, the malfunction or danger of accident might happen.
- * Do not use the item off the range of usage (Electrostatic elimination). Malfunction or danger of accident may occur.

2 Check the package contents

▶ Product compositions

The package includes the followivducts composition.



Power Controller
SBP-06(1P or 2P)
1ea



* Power Cable
SPC-MT-1-001
AC 100V, 50/60Hz, 1.8m / 1ea



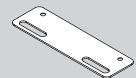
* Ground Cable
SGC-MT-2-001
Ø4 - Ø4 / 1m / 1ea



* Power Cable
SPC-MT-2-001
AC 220V, 50/60Hz, 1.8m / 1ea

▶ Option

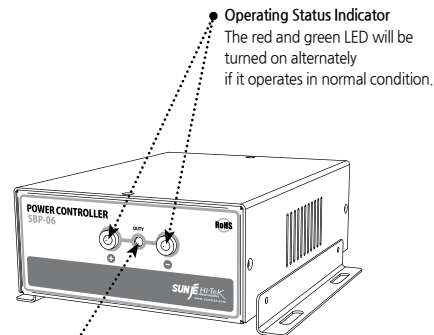
If you require extra functions with the basic accessories we provided, you need to purchase optional items in below for further assistant.



* SBP-06(2P) Bracket
SBR-BP-2-001

3 Nomenclatures of parts

Front

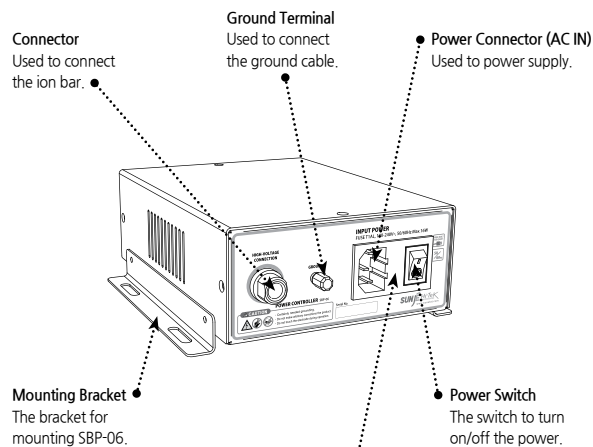


Operating Status Indicator
The red and green LED will be turned on alternately if it operates in normal condition.

Duty Control Part
It can be used when to change output voltage duty ratio.

※ Duty Rate
+/- ion creation time ratio on the discharging needle.

Rear



Connector
Used to connect the ion bar.

Ground Terminal
Used to connect the ground cable.

Power Connector (AC IN)
Used to power supply.

Fuse Socket
There's a fuse in the socket. Please check the proper product requirement when replacing. (250V/1A)

Power Switch
The switch to turn on/off the power.

Mounting Bracket
The bracket for mounting SBP-06.

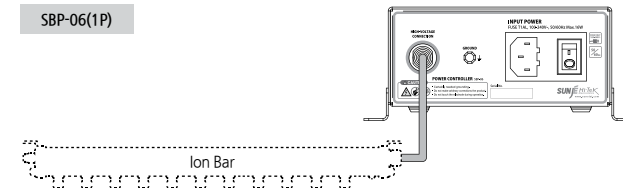
4 Installation and connection

⚠ CAUTION

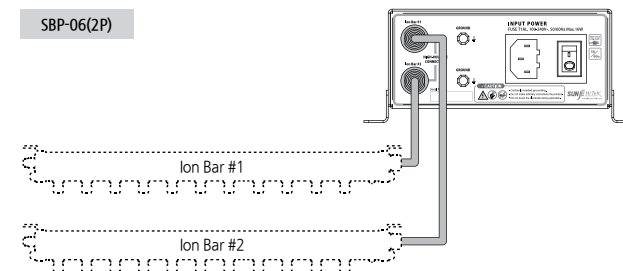
- * During installation, please try to avoid the area where the product might get (electrical) stress.
- * There might be chances for cable breakage, electric shock, or fire explosion.
- * After checking product, you should verify which power supply specification. A proper supply power use is required. If connect the power improperly, then might cause fire or electric shock.
- * Please be sure to use a ground cable for safety purposes.
- * The discharge needle is very sharp at the edge. Do not physically (directly) touch the discharge needle.

▶ How to connect the ion bar

SBP-06(1P)



SBP-06(2P)



Connectable Ion Bar

Power controller SBP-06 can be connected to the ion bars as below.



* Ion Bar
SIB1 Series



* Ion Bar
SIB2 Series



* Ion Bar
SSB1 Series

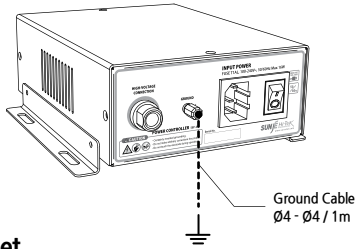
⚠ CAUTION

- * Don't try to connect with the ion bar that is not properly specified to install. It will be causes of malfunction or operation disorder.

► Ground connection

Safe Connection

When you can not find power supply connection, you can use the ground terminal which is located at the back of the controller.



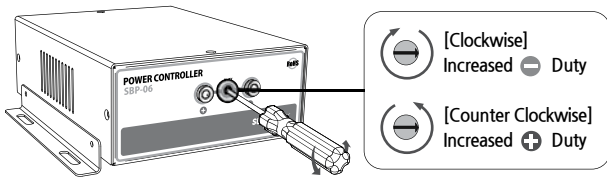
5 How to set

WARNING * Do not tamper with the set value. The malfunction might arise.

► Duty settings

If you set duty controller by the left and right, then +/- ion creation amount will be adjustment.

< Duty Controller >



► Frequency settings

Frequency is adjusted to an optimal conditions before shipped.

* SBP-06 controller has no alarm feature.

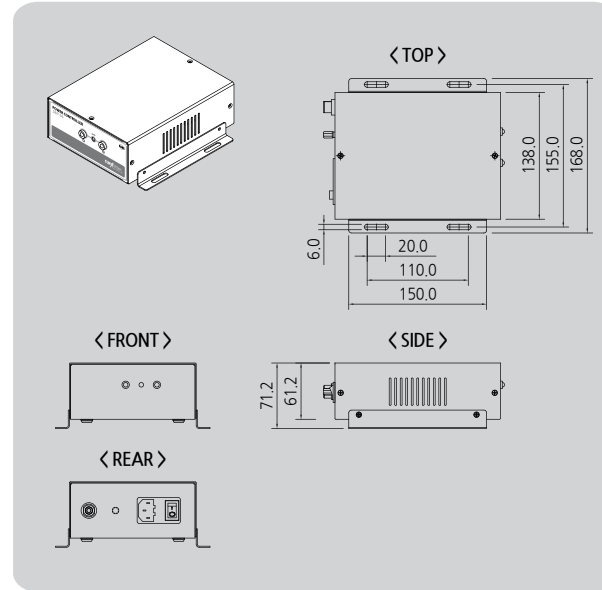
6 Problem solving

► Checklist before called

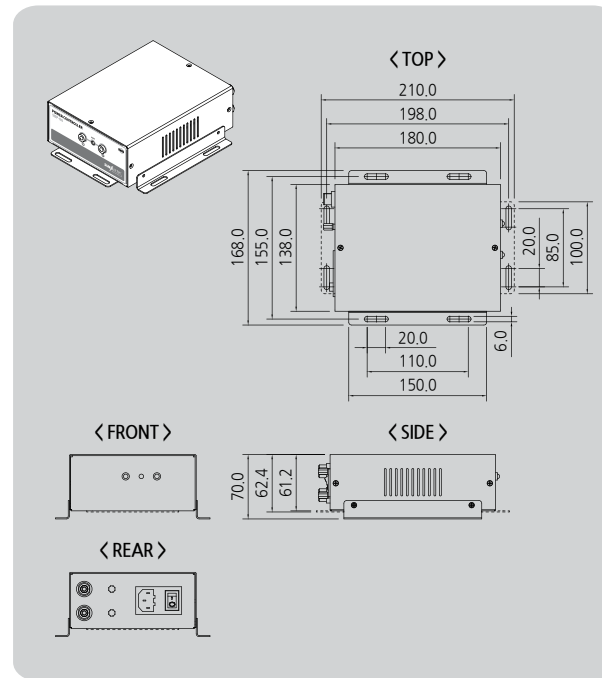
Symptom	Confirmation Matter	Matters of Management
The product does not work.	Is your power cable still plugged in?	Please re-plug the power cable and then turn the device on again.
	Was the proper voltage level applied for this set-up?	Please use the proper level of power input for the device. (AC 100~240V, 50/60Hz)
	Is the switch off at back of the device?	Turn on the power switch.
	Is a fuse broken?	Replace the proper fuse immediately. (250V, 1A)
There is no ionization.	Does the installed environment have too high/low level of humidity or temperature?	Please install the device upon the proper working specification.
The ionizing performance has been decreased.	Can't possibly ground the device?	Please refer to 'Installation & Connection' for (proper) grounding the device.
	Any damages or cut on the cables?	You need to replace the cables if it gets cut or damaged.

7 Dimensions

► SBP-06(1P)



► SBP-06(2P)



8 Specification

Parameter	Description / Value	Remarks
Input Power	AC 100~240V, 50/60Hz	
Output Voltage	Pulse AC 12 kVp-p(Max.)	
Power Consumption	16W	
Current Consumption	72mA	AC 220V
Weight	1.42kg	
Main Body Material	EGI	
Output Port	1 Port(1P), 2 Ports(2P)	H/V Connector
Operation Circumstance	0°C ~ +50°C(32°F ~ 122°F), 35% ~ 85% RH	
Dimensions	Please refer to dimension drawing	
Warranty	1 year	

* The appearance and specification of the product may be changed without prior notice for the improvement of the product.



SUNJE Electrostatics

www.sunstat.com

- Head Office & Factory (Busan)**
8, Cheonggwang-gil, Ilgwang-Myeon, Gijang-Gun, Busan, Korea
T) +82-51-720-7500 F) +82-51-720-7501
- Sunje Japan Co., Ltd.**
3-11-16-321 Higashimikuni, Yodogawa-ku, Osaka, Japan
T) +81-6-4866-5202 F) +81-6-6399-9290
- Central Sales Office (Hwaseong)**
3F, Ilshin B/D, 4, Namnyeoul 2-gil, Hwaseong-si, Gyeonggi-do, Korea
T) +82-31-203-9034 F) +82-31-202-9034
- Sunje (SHANGHAI) Trading Co., Ltd.**
Room 312, Jiurun Business Building 3rd Floor, No. 298, Yindu Road, Xuhui District, Shanghai, China 200000
T) +86-21-5433-9761 F) +86-21-5433-9762
- Southern Sales Office (Chilgok)**
35-2, Seojungni 3-gil, Seokjeok-eup, Chilgok-gun, Gyeongsangbuk-do, Korea
T) +82-54-476-9033 F) +82-54-476-9034
- Sunje Technology Co., Ltd.**
2F, No.6, Lane.102, Sinhe Rd, Sinfong Township, Hsinchu County, Taiwan 30472
T) +886-3-568-7891 F) +886-3-568-7950
- Customer Center** +82-70-7714-9033
- Sales Contact** +82-31-203-9034